

FIG. 1

FOR PUBLICATION

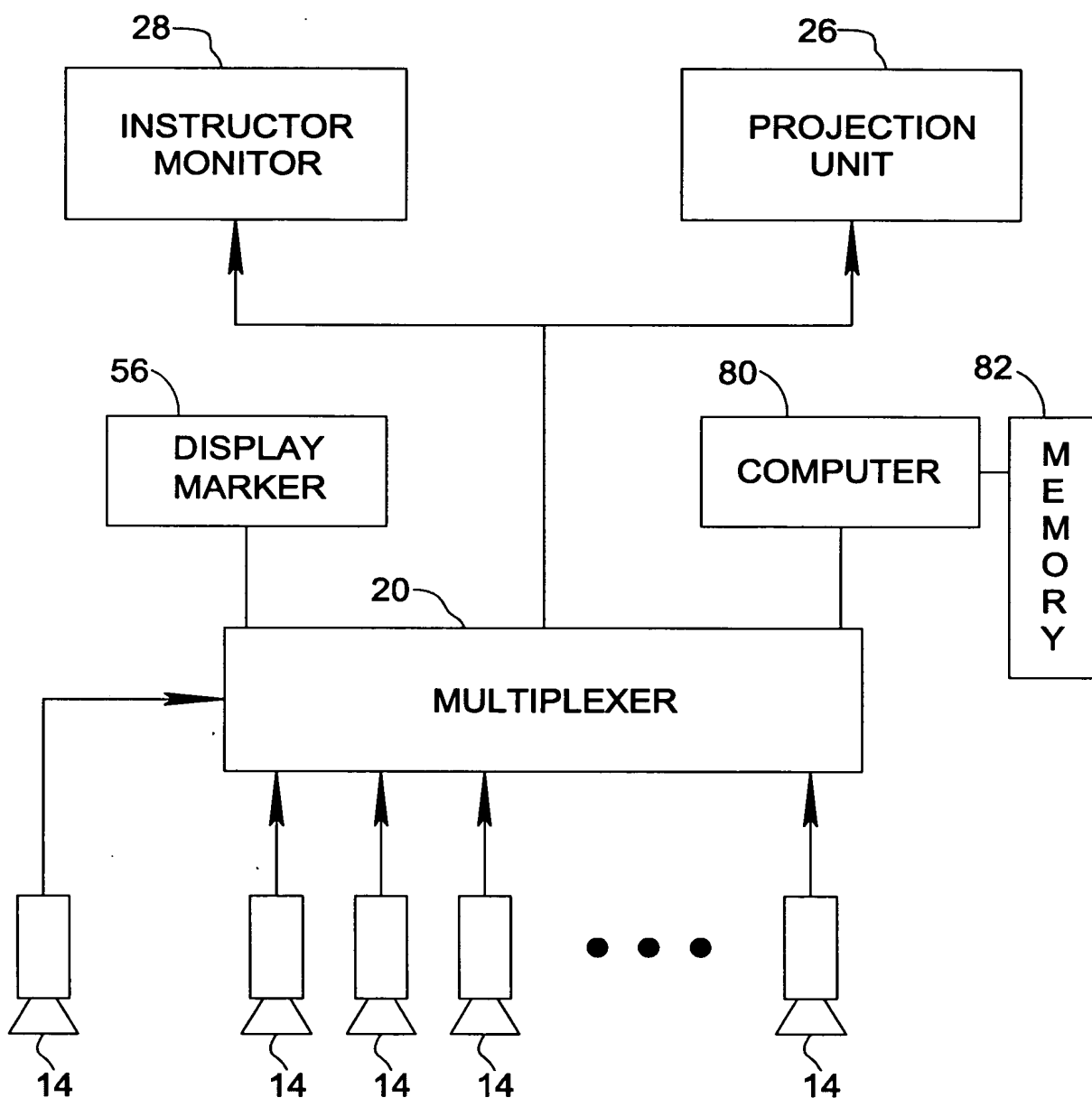


FIG. 2

FIG. 3

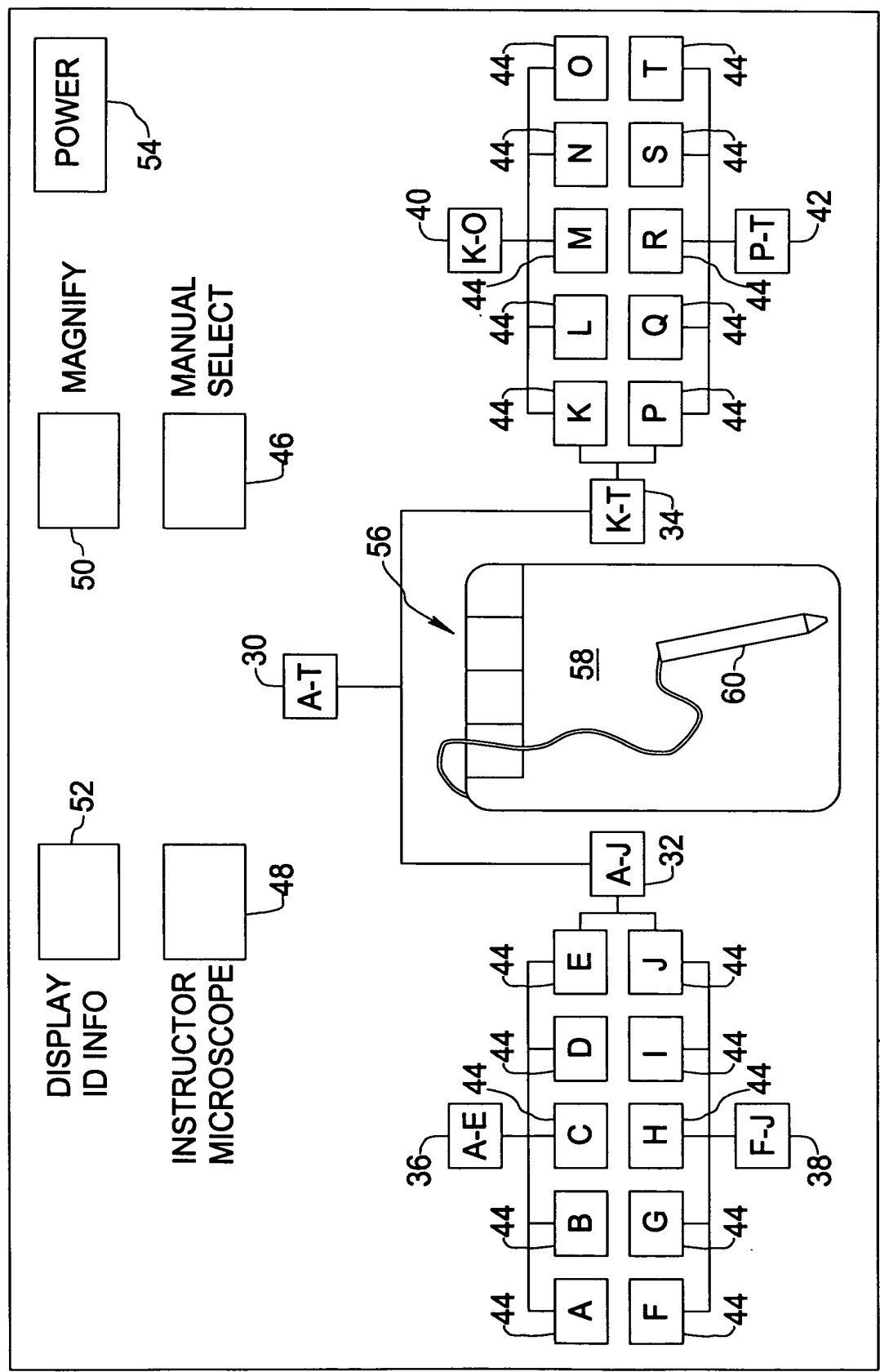


FIG. 3

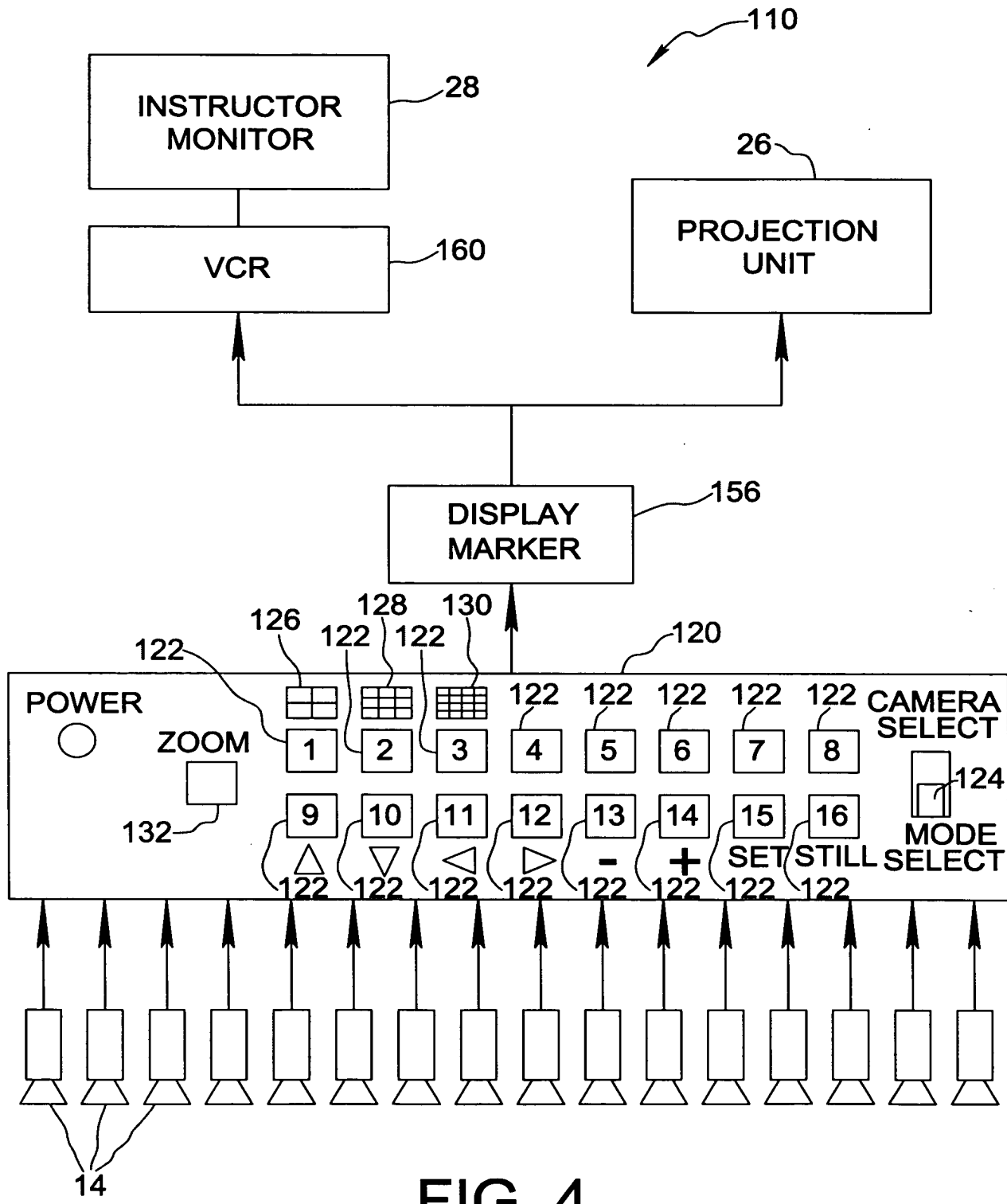
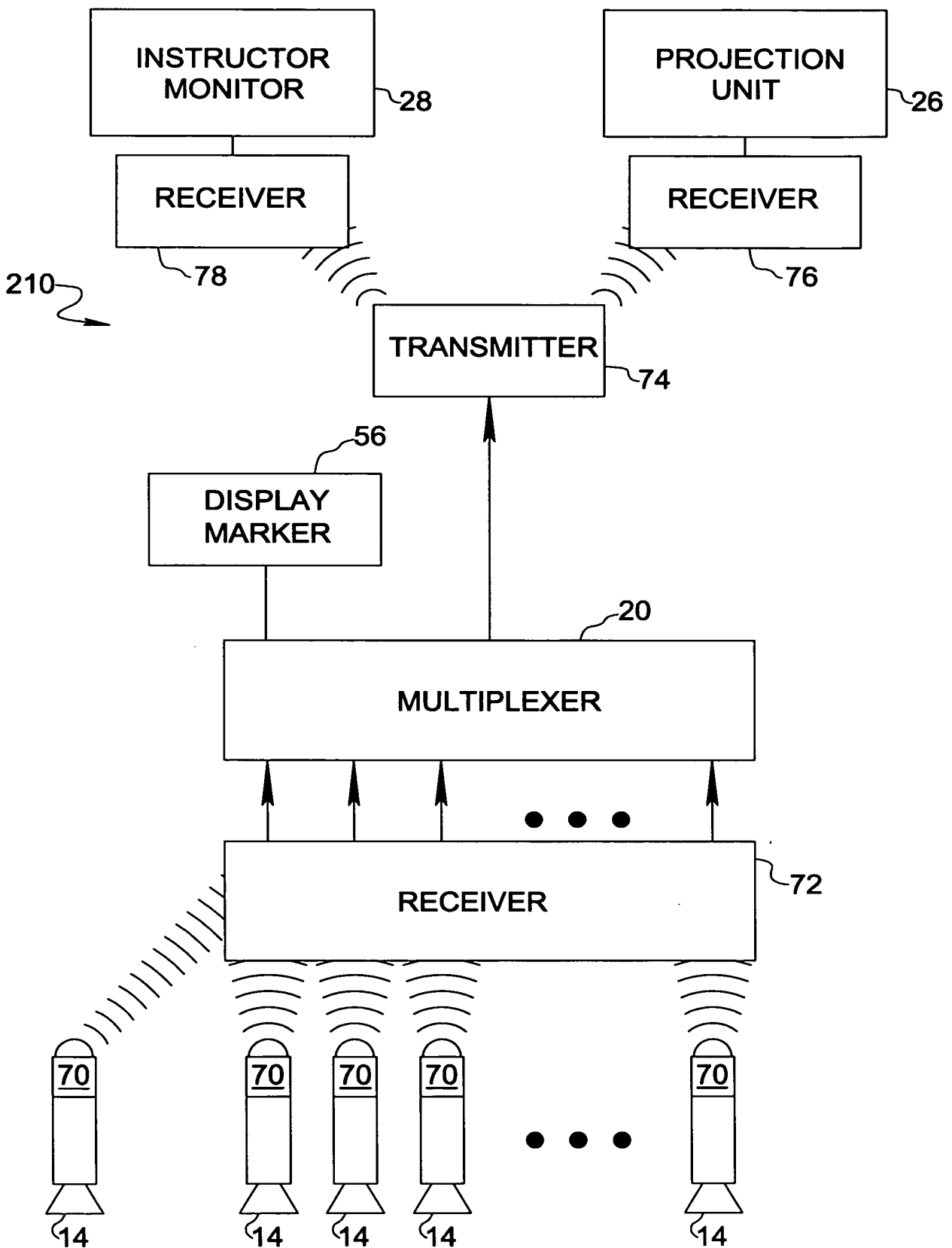


FIG. 4

FOR FILED IN 82-57860



FOR PUBLICATION

FIG. 5